



### GLEA24E7B



*Actual product appearance may vary.*

**Global Limit Switches Series GLS:  
Wobble - Coil Spring, 2NC 2NO DPDT  
Snap Action, 0.5 in - 14NPT conduit**

#### Features

- Designed to IEC standard for world-wide applications
- UL, CSA, and CE
- International conduit sizes
- Direct PLC interface compatible (two circuit)
- Modular construction reduces maintenance parts costs
- Designed for ease of installation
- Variety of basic switch versions
- Wide choice of actuators

#### Potential Applications

- Machine tools: metal fabrication equipment, presses, transfer lines and special machinery
- Material handling equipment: conveyors, elevators, cranes, and hoists
- Packaging machinery and process equipment
- Textile machinery
- Construction machinery and equipment, vehicles and lift trucks

#### Description

The GLS series limit switches are specifically designed for world-wide applications and are supported by Honeywell global resources for sale and after sale service.

Product Specifications	
Availability	Global
Operating Force (O.F.)	1,1 N [0.25 lb]
Pretravel (P.T.)	16°
Overtravel (O.T.)	49°
Differential Travel (D.T.)	7°
Product Type	EN50041/47 Global Limit Switch
Actuator	Wobble - Coil Spring
Lever Style	None
Circuitry	2NC 2NO DPDT Snap Action
Ampere Rating	10 A (Thermal)
Supply Voltage	300 Vac and 250 Vdc max.
Housing Material	Zinc Die-Cast

Termination Type	0.5 in - 14NPT conduit
Housing Type	EN 50047 Compatible
Series Name	GLS DIN
Shock	50 g per IEC 68-2-27c (w/o Actuator)
Vibration	10 g per IEC 68-2-6 (w/o Actuator)
Sealing	NEMA 1, 4, 12, 13 IP66
Approvals	UL, CSA, CE
CSA File #	LR94369-3
UL File #	E37138 & E157416
Mechanical Life	5 million
Operating Temperature Range	-25 °C to 85 °C [-13 °F to 185 °F]
Agency Approvals and Standards	IEC 947-5-1, EN60947-5-1, UL508
UNSPSC Code	302119
UNSPSC Commodity	302119 Switches and controls and relays
Sealed	Industrial

---

Honeywell

**LIMIT SWITCH**

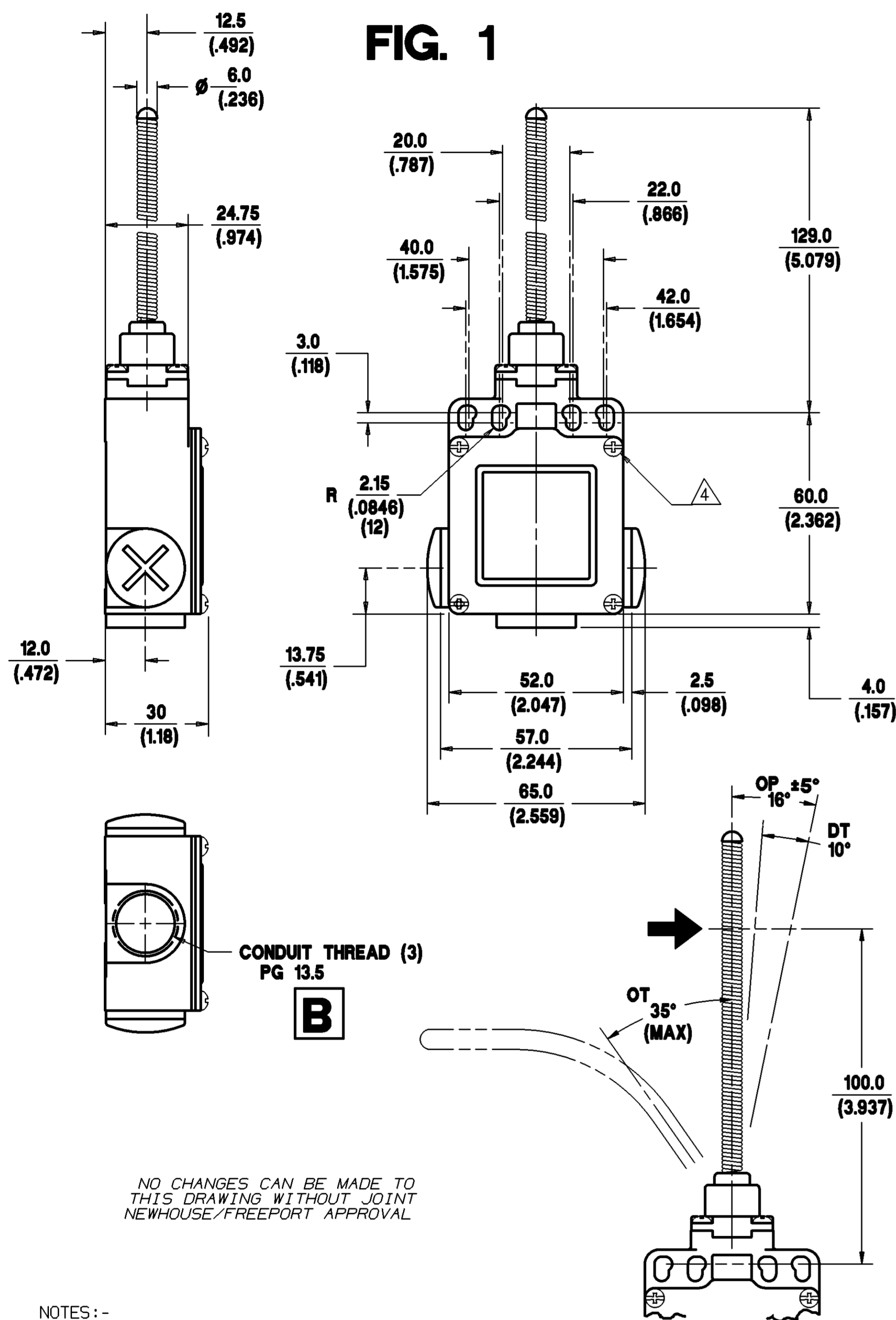
CATALOGUE LISTING  
**GLS**  
 CHART NO.  
**MTG-GL-181**

**MTG-GL-181**

REPLACES  
 AO18-36

REVISIONS

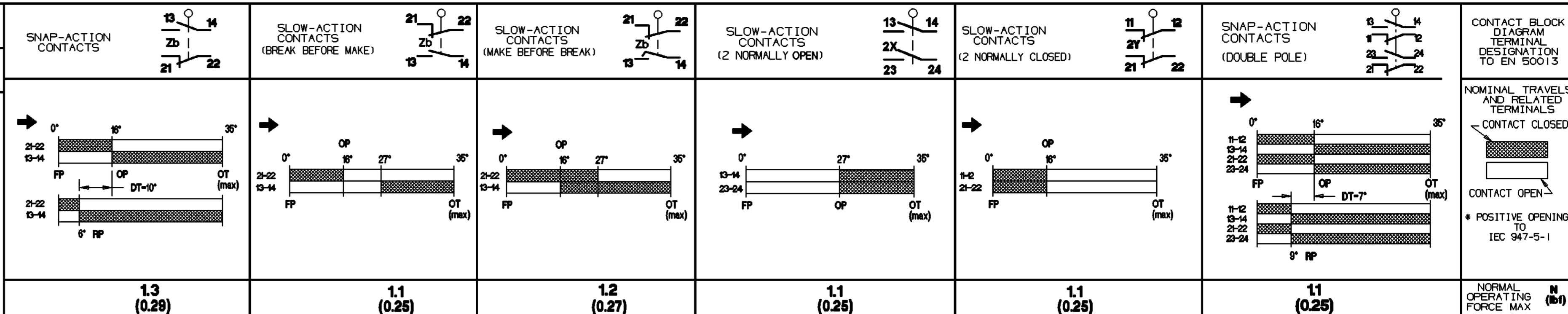
6	9/96
7	12/96
8	07/97
9	07/98
10	03/216



NO CHANGES CAN BE MADE TO THIS DRAWING WITHOUT JOINT NEWHOUSE/FREEPORT APPROVAL

**NOTES:-**

- ZINC DIECAST BODY AND HEAD WITH STEEL COVER. BODY AND COVER FINISHED IN MICRO SWITCH BLUE EPOXY PAINT. HEAD FINISHED IN BLACK EPOXY PAINT.
  - MINIMUM OPERATING VELOCITY (V<sub>min</sub>) = 0.13 rad/s  
 MAXIMUM OPERATING VELOCITY (V<sub>max</sub>) = 13 rad/s  
 MAXIMUM OPERATING FREQUENCY (F<sub>max</sub>) = 250 OPS/MIN
  - FREE POSITION (FP), OPERATING POINT (OP), OVERTRAVEL (OT) AND PRETRAVEL (PT) ALL TO EN50047.
- △ MAXIMUM TIGHTENING TORQUE FOR FIXING SCREW = 0.5Nm (4.4in.LB)



CONTACT BLOCK DIAGRAM TERMINAL DESIGNATION TO EN 50013

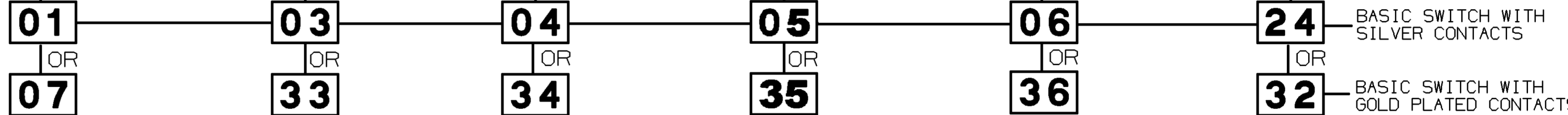
NOMINAL TRAVELS AND RELATED TERMINALS

CONTACT CLOSED

CONTACT OPEN

\* POSITIVE OPENING TO IEC 947-5-1

NORMAL OPERATING FORCE MAX **N** (lb)



BASIC SWITCH

CONDUIT THREAD (SEE FIGS. 1 & 2)

EN50047 BODY TYPE (SEE FIG. 1)

1/2" NPT X 14 CONDUIT THREAD ADAPTER

PG 13.5 CONDUIT THREAD

M20 X 1.5 CONDUIT THREAD

PF 1/2 CONDUIT THREAD

WOBBLE ACTUATOR (SEE FIG. 1)

MODIFICATION CODE

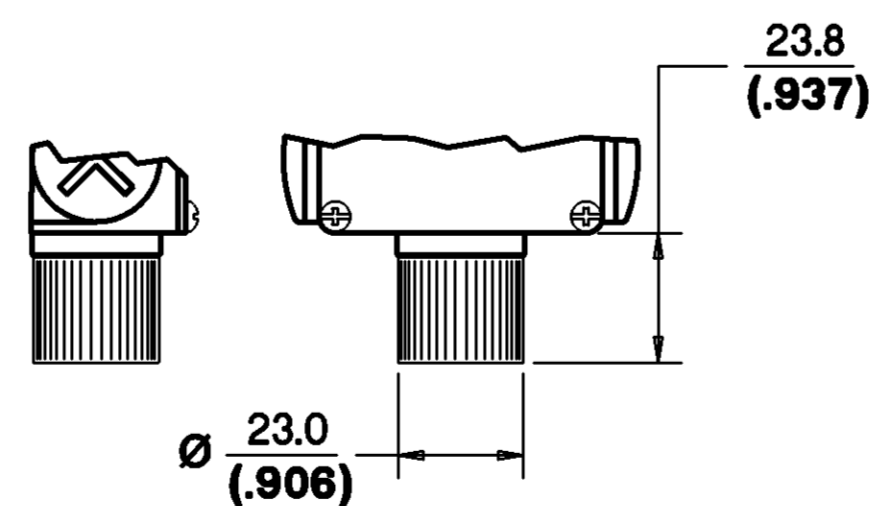
**GLE** **X** **XX** **E7B** - **XXXX**

- A** 01
- B** 03
- C** 04
- D** 05
- 06
- 07
- 33
- 34
- 35
- 36

- C021** CABLE 5 WIRE, WITH GROUND. LAST CHARACTER IS CABLE LENGTH I = 1MTR. CABLE LENGTHS ARE FROM 1 TO 9 METRES. ONLY AVAILABLE WITH CONDUIT THREAD TYPE 'B'.
- Q01** CONNECTOR, 4 PIN MICRO. ONLY AVAILABLE WITH CONDUIT THREAD TYPE 'B'.
- Q02** CONNECTOR, 5 PIN MICRO TWIN KEYWAY. ONLY AVAILABLE WITH CONDUIT THREAD TYPE 'B'.
- Q03** CONNECTOR, 4 PIN MINI. ONLY AVAILABLE WITH CONDUIT THREAD TYPE 'B'.
- Q04** CONNECTOR, 5 PIN MINI. ONLY AVAILABLE WITH CONDUIT THREAD TYPE 'B'.
- Q07** CONNECTOR, 5 PIN MICRO. ONLY AVAILABLE WITH CONDUIT THREAD TYPE 'B'.

NOTE:- ANY STANDARD LISTING WITH SUFFIX 'RS' OR 'FE' IS PERMITTED.

**FIG. 2**



1/2" NPT X 14 CONDUIT THREAD ADAPTER **A**

NOTE: FOR CONNECTION DIAGRAMS AND ADDITIONAL ELECTRICAL, ENVIRONMENTAL & DIMENSIONAL INFORMATION SEE DRAWING GL-49212.

NOTE:- CABLE AND CONNECTOR WILL BE FITTED TO BOTTOM EXIT CONDUIT ONLY. OTHER OPTIONS CUSTOMER SPECIAL 'N' LISTING.

3/92	STANDARD SILVER CONTACTS	GOLD PLATED CONTACTS	ENVIRONMENTAL		APPROVALS
3/92	ELECTRICAL RATING	ELECTRICAL RATING	ENVIRONMENTAL		APPROVALS
3/92	AC	DC	ENVIRONMENTAL		APPROVALS
	A300 AC15 U <sub>e</sub> I <sub>e</sub>	O300 DC13 U <sub>e</sub> I <sub>e</sub>	I <sub>th</sub> = 10A		IP66 NEMA 1, 4, 12, 13 TEMP RANGE : -25°C TO 85°C -13°F TO 185°F STORAGE : -40°C TO 85°C -40°F TO 185°F
	VOLTS AMPS 120 6 240 3	VOLTS AMPS 125 0.55 250 0.27	IV 10µA MIN. 50V 100mA MAX.		
	SHOCK : 50G PER IEC 68-2-27 VIBRATION : 10G PER IEC 68-2-6		IEC 947-5-1 EN50047		
THE COPYRIGHT OF THIS DRAWING IS THE PROPERTY OF HONEYWELL LTD. THE DRAWING IS SUPPLIED IN CONFIDENCE AND MUST NOT BE USED FOR ANY PURPOSE OTHER THAN THAT FOR WHICH IT IS SUPPLIED.					
DRWN	M. LOCH	THIRD ANGLE PROJECTION	SCALE	DIMENSIONS ARE IN MM/INCHES.	MODIFY ON CAD SYSTEM ONLY
CHECK	I. WEIR		1:1		
DESIGN	J. BOYD				
AUTHOR	P. TRICKETT				